

SEPA - TEC SEALS, J.Linder

Design, product development, production of
Mechanical seals of all kinds since 1988

Typ DOS

Double Steril Cartridge DIN 24960

“without sleeve inside”



Design features:

Stationary groups feathered sliding faces

- Avoid spring movements for smooth running
- Compensation of misalignments for easy assembly
- self aligning stationary sliding seal faces
- Massive sliding Faces - not shrink in

Standard double pressure relief

- Cooler running properties_ longer life
- Stationary springs out of Medium
- No clogging or sticking of the springs
- Uniform contact pressure of the seal faces
- Avoidence of spring movements = longer life

Stationary O - Ring Assembling

- No ribbing of the shaft or sleeve
- 6 mm locking pressure drilling
- Very large clearances in the seal for better heating , cooling or locks

Cartridge Assembled complete assembly unit

- Easy installations for quick repairs
- Avoidence of assembly errors
- No contamination of the Seal faces by assembly
- Easy installation without disassembling the pump
- Anytime impeller adjustment possible
- **the most short double cartridge in the World**
- **Guarantee ! All Cartridges are pressurized with 8 bar air**
We ensure that only tested seals come to delivery !

Worlds first !!!!

MADE IN GERMANY
Typ DOS Double Cartridge
without sleeve inside
shortest Double seal
on market !!!!

Flushing & Sealing pressure connections

1/4" thread, 6 mm locking hole

Parameters of use

Shaft 25 mm up to 160 mm

Pressure : 20 bar Medium
and presurless barrier Medium

Temp.: Till 260°C with cooling by
blocking media and FFKM O Rings

Speed : up to 25m/sec

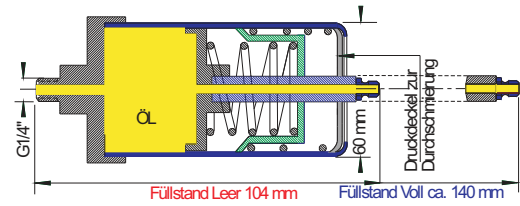
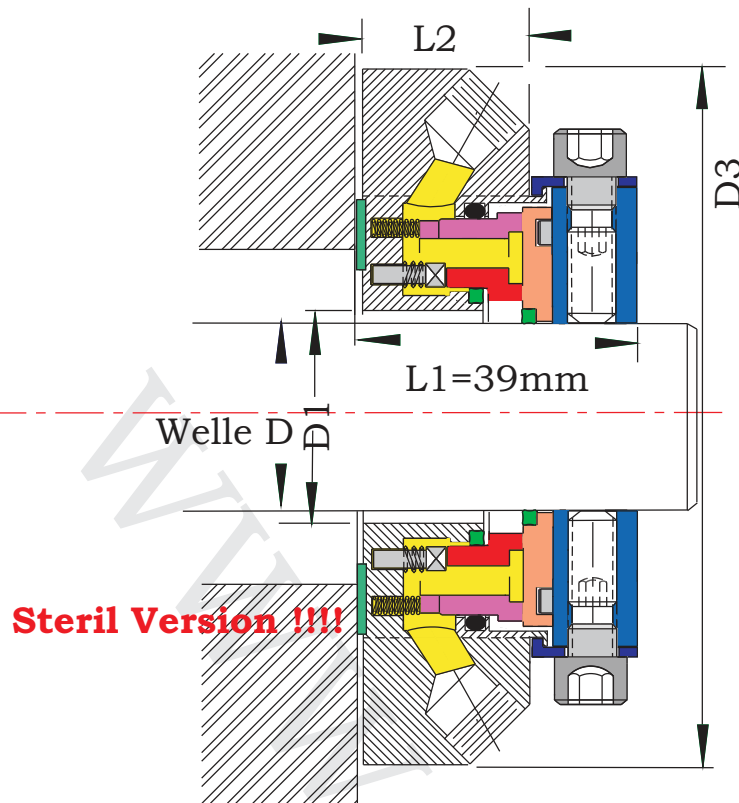
Materials :

Carbon , WC, SIC

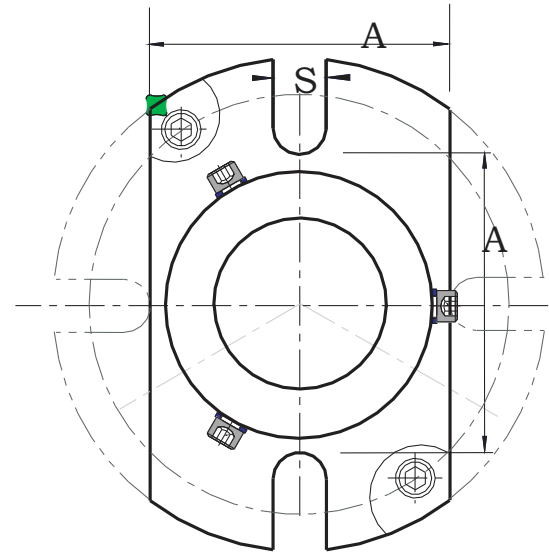
Stainless steel 1.4571, 316SS or others

O - Rings : FKM, Chemraz - FFKM

Typ "DOS" **STERIL** Double Cartridge



Self lubricating bushing as a simple barrier source



Measures of Typ DOS double cartridge

Dw mm	D3	D1	L1	L2	A	S	Langl. Slots
24	105.00	29,0	39	25,5	62.00	12,5	2
25	105.00	30,0	39	25,5	62.00	12,5	2
28	105.00	33,0	39	25,5	62.00	12,5	2
30	105.00	35,0	39	25,5	65.00	12,5	2
32	105.00	37,0	39	25,5	67.00	12,5	2
33	105.00	38,0	39	25,5	67.00	12,5	2
35	113.00	40,0	39	25,5	70.00	12,5	2
38	123.00	43,0	39	25,5	75.00	14.80	2
40	123.00	45,0	39	25,5	75.00	14.80	2
43	133.00	48,0	39	25,5	80.00	14.80	2
45	138.00	50,0	39	25,5	81.00	14.80	2
48	138.00	53,0	39	25,5	84.00	14.80	2
50	140.00	55,0	39	25,5	87.00	14.80	2
53	148.00	58,0	39	25,5	90.00	17.60	2
55	148.00	60,0	39	25,5	92.00	17.60	2
60	157.00	65,0	39	25,5	100.00	17.60	2
63	163.00	68,0	39	25,5	105.00	17.60	2
65	163.00	70,0	39	25,5	105.90	17.60	2
70	178.00	75,0	39	25,5	118.00	17.60	2
75	190.00	81	39	25,5	125.00	17.60	4
80	195.00	86	39	25,5	130.00	17.60	4
85	200.00	91	39	25,5	135.00	20.60	4
90	205.00	96	39	25,5	140.00	20.60	4
95	208.00	101	39	25,5	145.00	20.60	4
100	218.00	106	39	25,5	150.00	20.60	4

Weitere Größen auf Anfrage, Techn. Änderungen vorbehalten. Alle technischen Daten basieren auf umfangreichen Erfahrungen aus mehr als 20 Jahren. Sie gelten als Richtwerte. Eine Gewährleistung im Einzelfall wird nur gegeben wenn uns die genauen Einsatzbedingungen bekannt sind und diese in einer extra Vereinbarung uns schriftlich bestätigt wurden.