

SEPA - TEC SEALS, J.Linder

Construction, DESIGN AND MANUFACTURING OF EVERY KIND OF MECHANICAL SEALS SINCE 1988 !

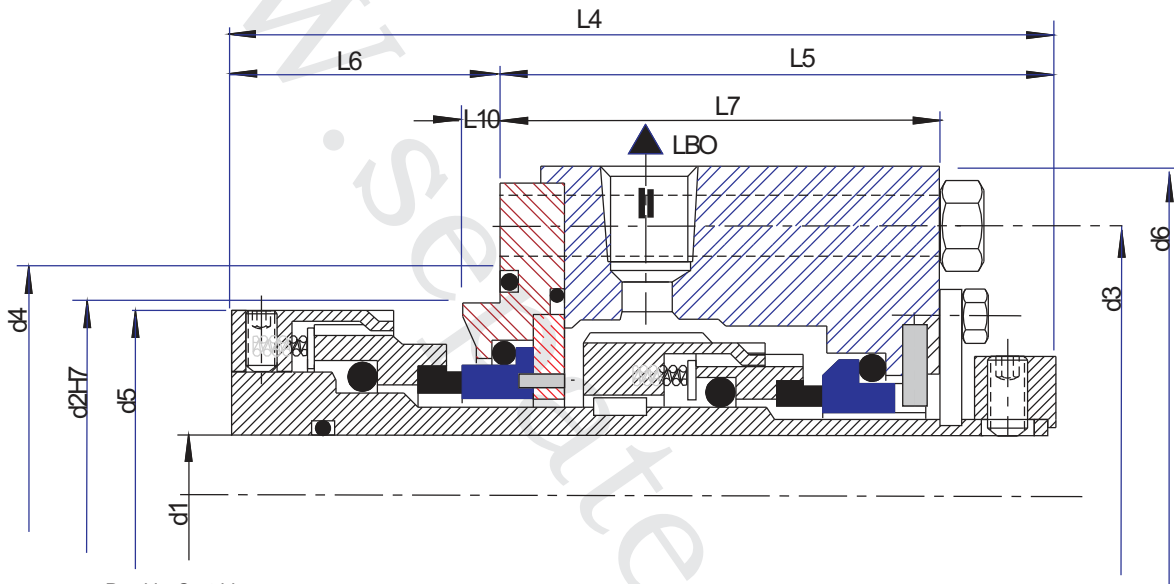
SEPA TEC SEALS GLETRINGDICHTUNGEN

SEPA TEC SEALS GLETRINGDICHTUNGEN

SEPA TEC SEALS GLETRINGDICHTUNGEN

Typ B API 682 Double Cartridge

Speed : 50m/sec
 Pressure : 60 bars
 Temperature : 260°C (FFKM)
 Alternativ to Burgman LL9DJUE
With slotted holes or Through Holes



Double Cartridge

API / d1	API / d2	API / d3	d6	I4	I5	I6	I7
20	70	105,00	129,00	144,00	97,00	47,00	81,00
30	80	115,00	139,00	145,50	96,00	49,50	77,50
40	90	125,00	149,00	146,50	96,50	50,00	78,00
50	100	150,00	168,00	158,00	106,50	51,50	88,00
60	120	160,00	188,00	165,00	107,50	57,50	90,20
70	130	170,00	198,00	170,00	107,50	62,60	85,00
80	140	180,00	208,00	175,00	107,50	67,50	85,00
90	160	205,00	238,00	178,80	116,90	61,90	94,40
100	170	215,00	248,00	185,00	117,50	67,50	92,00
110	180	225,00	258,00	188,00	116,50	71,50	91,00